

VIZIO | Quick Setup Guide

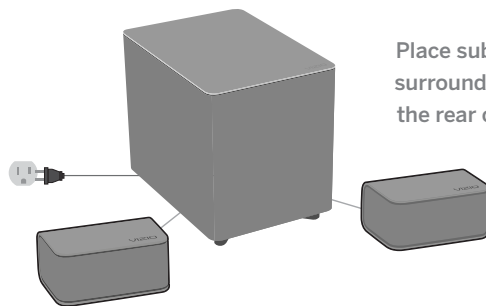
Scan the QR code for an easy setup,
or visit the link below to access information on how
to connect to your other devices.

vizio.com/QR/M51a-H6

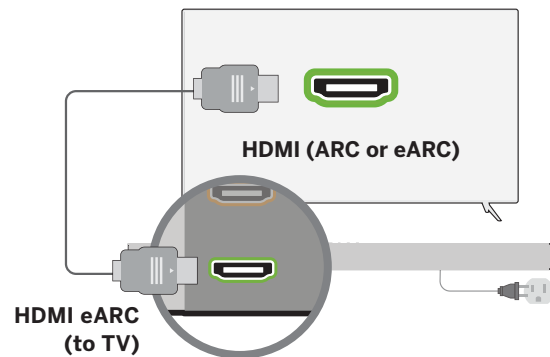


Connect.

- 1 Plug in power cables to power on your sound bar and subwoofer.
- 2 Use the included cables to connect the surround speakers to the subwoofer.
- 3 Then use the included HDMI cable to connect to your TV.



Place subwoofer and
surround speakers in
the rear of the room.



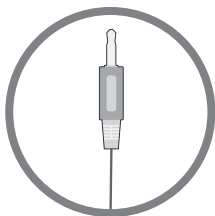
Why HDMI? Highest Quality Connection.

Connect to the HDMI ARC/eARC port on your TV
for the best possible sound quality.

Connect to a Voice Assistant (VA) device.

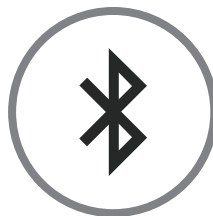
Connect your voice assistant devices (sold separately) to the sound bar for an amplified audio experience that's always ready to respond. Please see the User Manual for more information.

Connect to the AUX VA port



OR

Bluetooth Connection



The sound bar will **automatically lower the volume** while watching a movie or listening to music, when a VA device is connected.

Unlock the best picture and audio quality
with a VIZIO SmartCast® TV.

Scan here to shop our M-series™ TVs:



More questions?

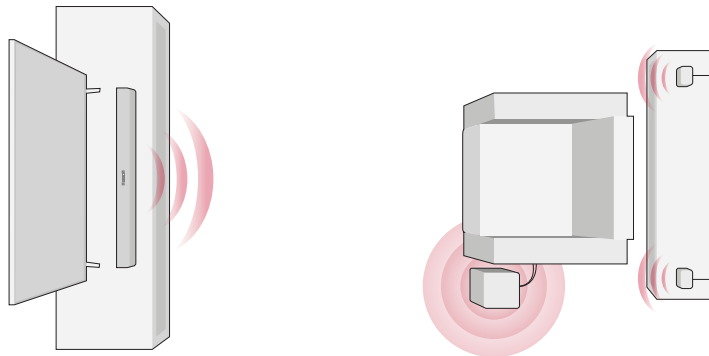
Get customer support help
and view the User Manual here:

support.vizio.com

Best speaker placement for my sound bar?

For the best surround sound experience, position the sound bar, subwoofer, and surround sound speakers as shown. The sound bar should be close to ear level.

If the subwoofer is too boomy or lacking impact, adjust the **Subwoofer level** with your remote control or try various placements.

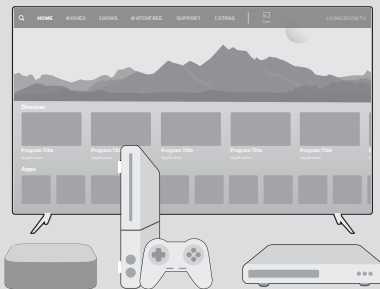


How do I get Dolby Atmos® content?



Must use HDMI to connect the sound bar and TV.

(Always use High Speed HDMI 2.0 cables.)



Source device or TV app must support Dolby Atmos content.

Dolby Vision™ 4K HDR and Dolby Atmos® content available on VIZIO SmartCast™ TVs.



Streaming 4K content with Dolby Atmos requires sufficient network bandwidth.

(Consult your device's user documentation.)

How do I adjust sound settings and levels?

Using the included remote, you can easily adjust many different sound settings and levels to optimize your listening experience, including surround volume levels, surround speaker balance, surround sound modes, and more.



1. Push a **setting** button.
2. Use the **Up/Down** buttons to select a specific setting/level to change.
3. Then use the **Left/Right** buttons to adjust each setting.