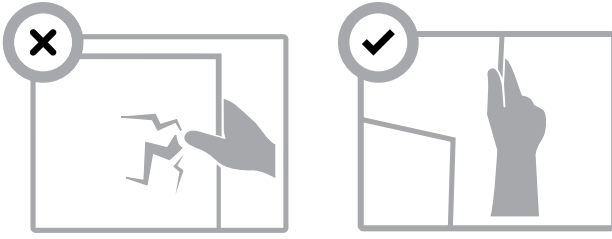




## Inside the box

- OLED TV
- Power Cable
- Remote with Batteries
- TV Stand
- Screws for TV Stand

## IMPORTANT!



DO NOT TOUCH THE SCREEN



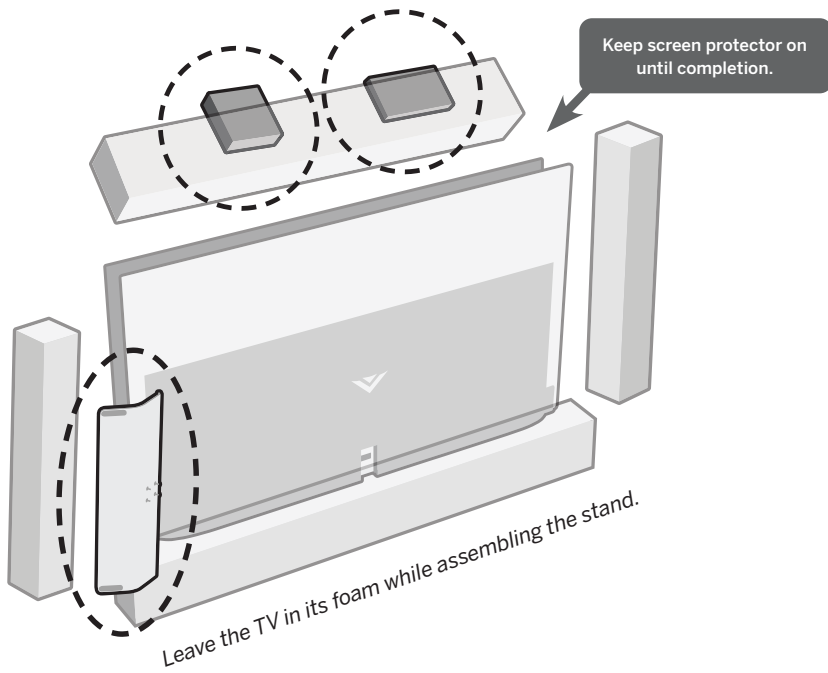
For more information, including the product's full User Manual, visit [VIZIO.com](http://VIZIO.com)

## Set Up Your OLED TV.

If you are wall-mounting the TV without the stand, follow the instructions that came with your wall mount that is appropriate for your TV.

1

### Base Accessory Box (top of the TV)



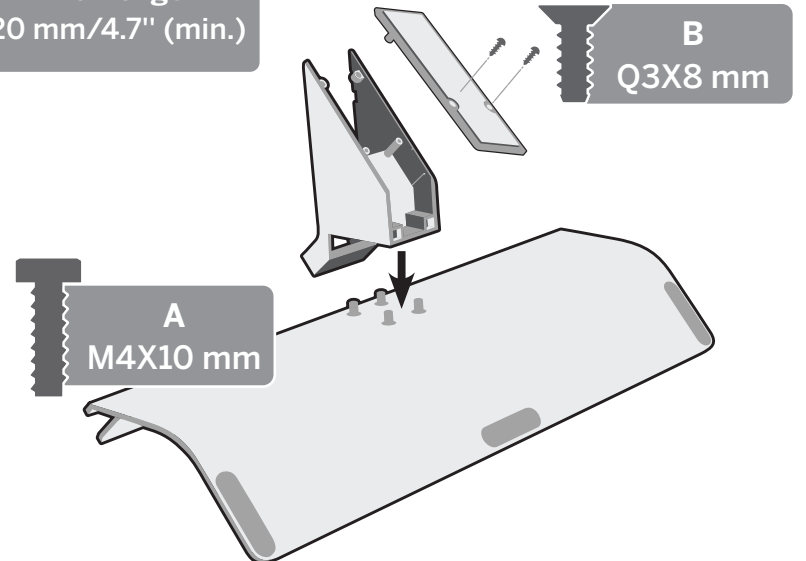
### Base Bracket (side of TV)

2

- Place the triangle stand (black) onto the metal base and secure using the 4 screws from bag A.
- Then screw on the stand bottom using the 2 screws from bag B.

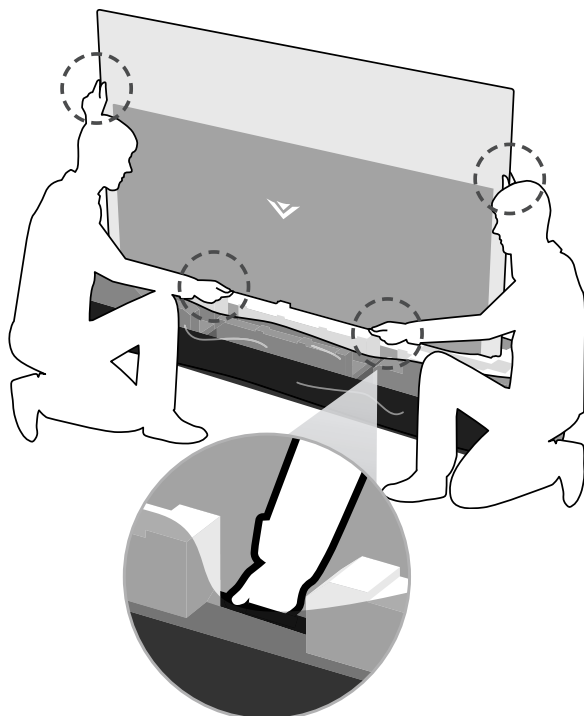
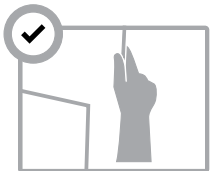
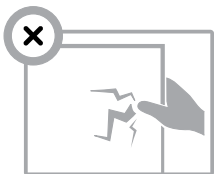


Driver length:  
120 mm/4.7" (min.)

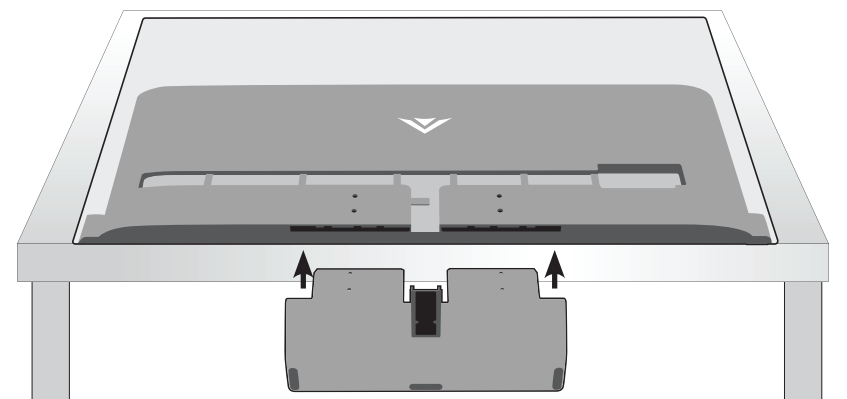


3

Slide the bag down from the TV, reach inside the TV bag and use the hand cutouts to lift underneath the TV. Leave the screen protector on.

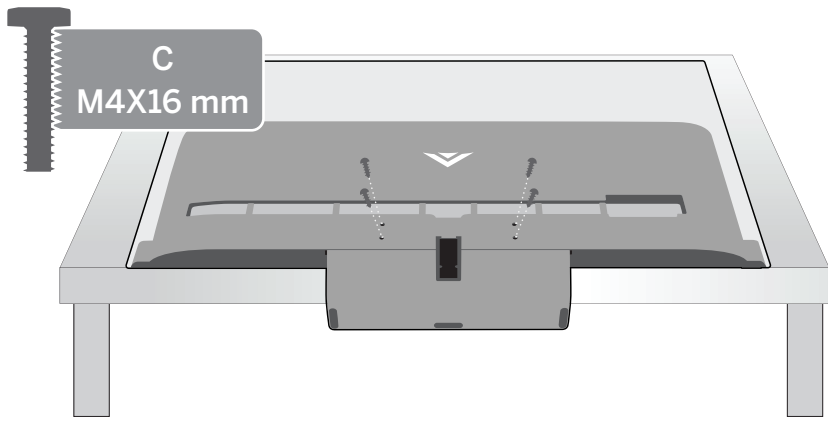


4

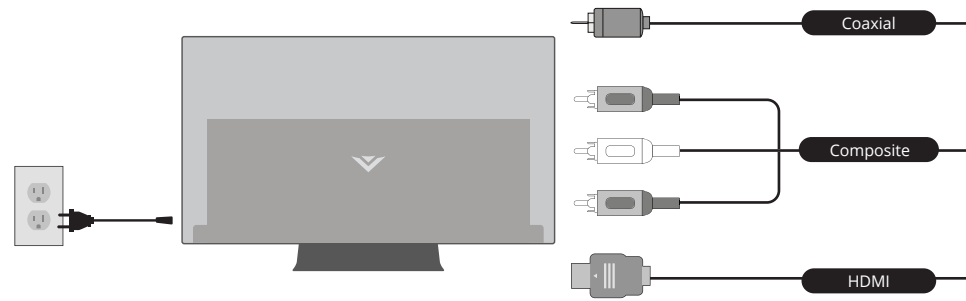


Carefully lay the TV panel side down on a flat surface. Slide the assembled stand into the slot at the bottom of the TV.

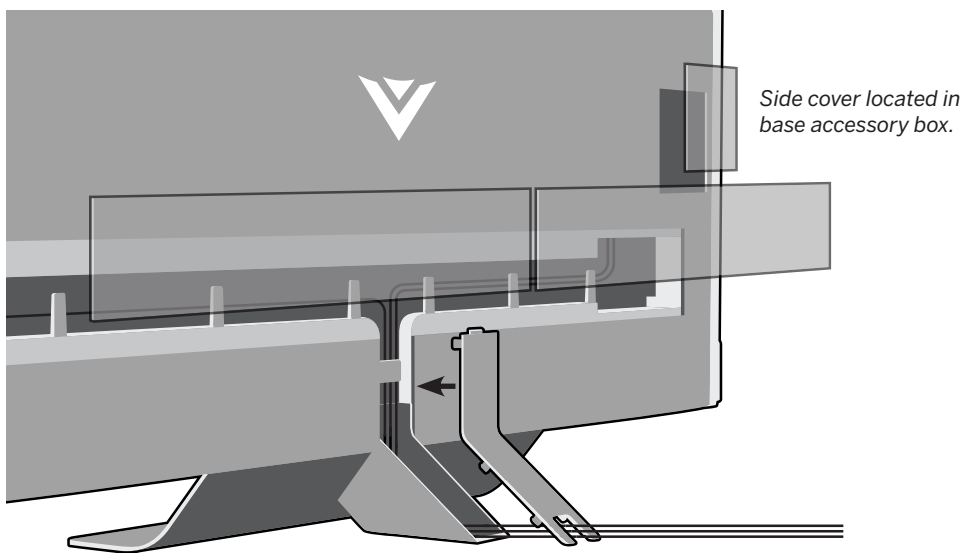
**5** Use the 4 screws from bag C to attach the base onto the backside of the TV.



**6** Place TV in the intended location and plug the TV power cord into a wall outlet and connect needed cables.

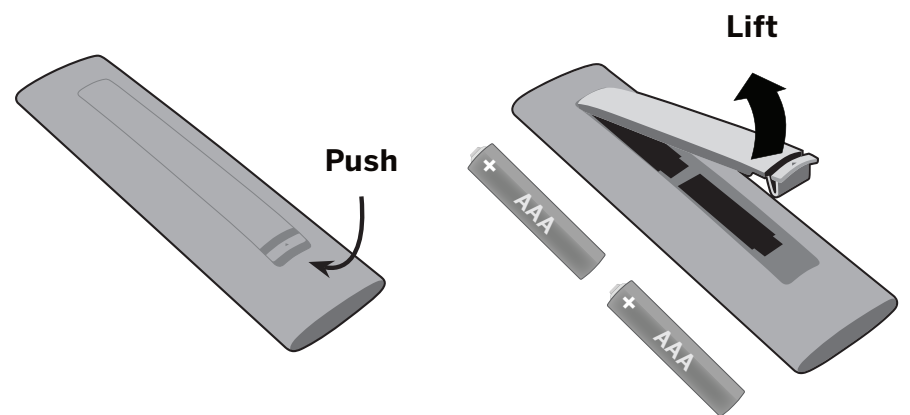


**7** Place cables into discreet compartments before snapping on the covers\* (no need for screws).

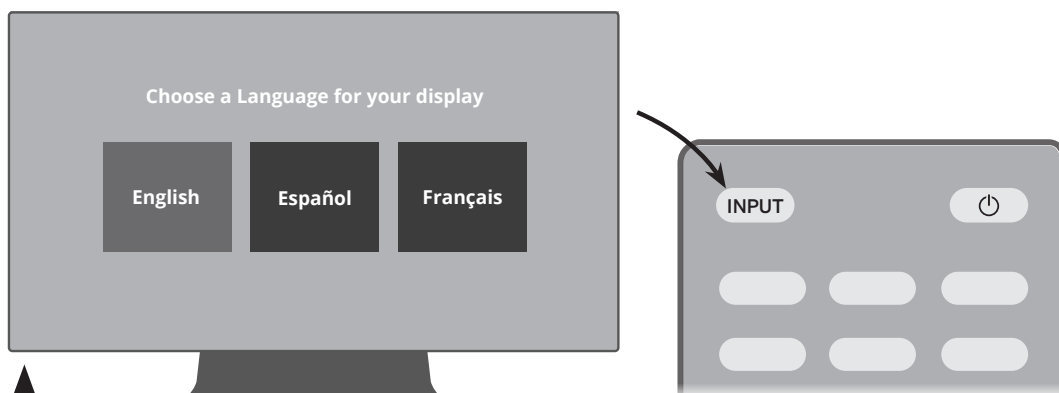


\*Leave compartment covers off if wall mounting.

**8** Put batteries in your remote control and turn the TV on.



**9** Follow the on-screen instructions to complete set up. Once completed, press the INPUT button on the remote to highlight the input you wish to view.



IR sensor located here.

For more help, including how to repackage your TV, visit:  
[support.vizio.com](http://support.vizio.com)